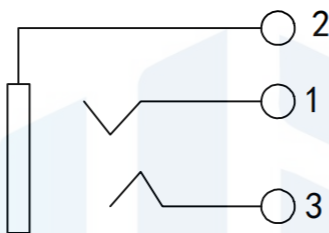
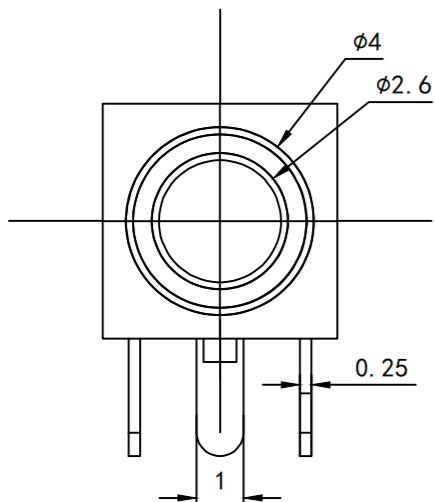
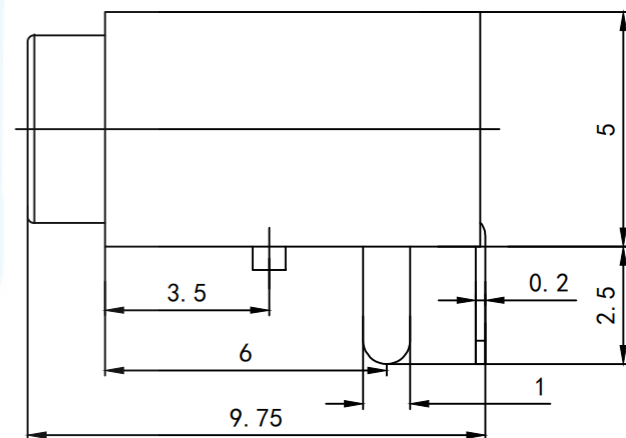
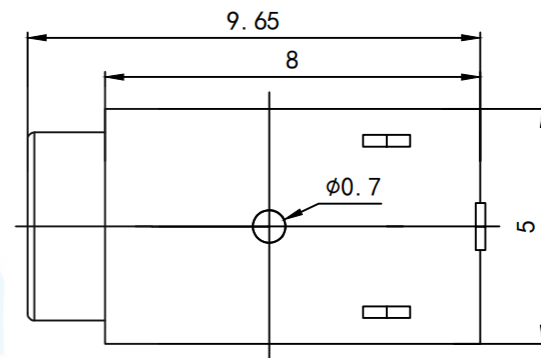
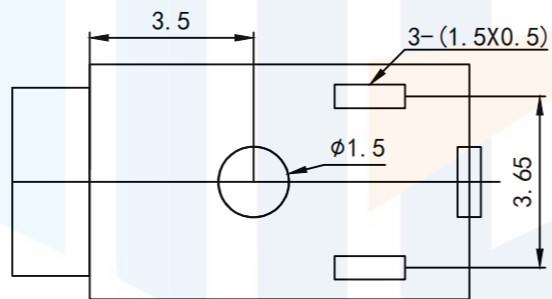


RoHS2.0  
Compliant ✓



P. C. B LAYOUT VIEW



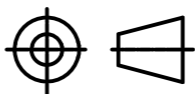
Main technical performance

1. Rated electrical load: 30V 0.5A;
2. Contact resistance:  $<0.03 \Omega$ ;
3. Absolute edge resistance:  $>100M \Omega$ ;
4. Withstand voltage: AC500V (50Hz)/min;
5. Insertion and withdrawal force: 3~20N;
6. Life: 5,000 times.

TOLERANCE

X. XXX	$\pm 0.05$
X. XX	$\pm 0.15$
X. X	$\pm 0.20$
X.	$\pm 0.30$
ANGLE	$\pm 5.0^\circ$

PROTECTON



东莞市恒祺电子科技有限公司  
Dongguan Hengqi Electronic Technology Co., Ltd

<https://www.hq-dz.com>

phone:15812872448

TITLE:

耳机插座

PART NO: PJ-210DA

DRAWING NO: 9.65\*5\*5

DRAWN:

DATE:

18-10-08

UNIT:  
mm

CHECKED:

DATE:

18-10-08

SCALE:  
FULL

APPROVED:

DATE:

18-10-08

SIZE:  
A4